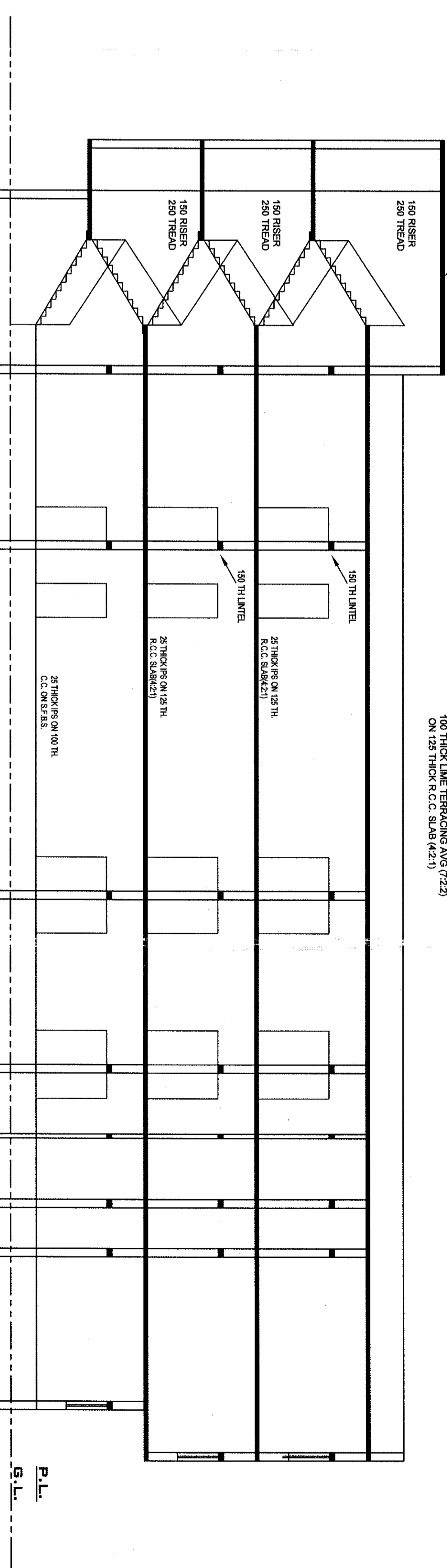
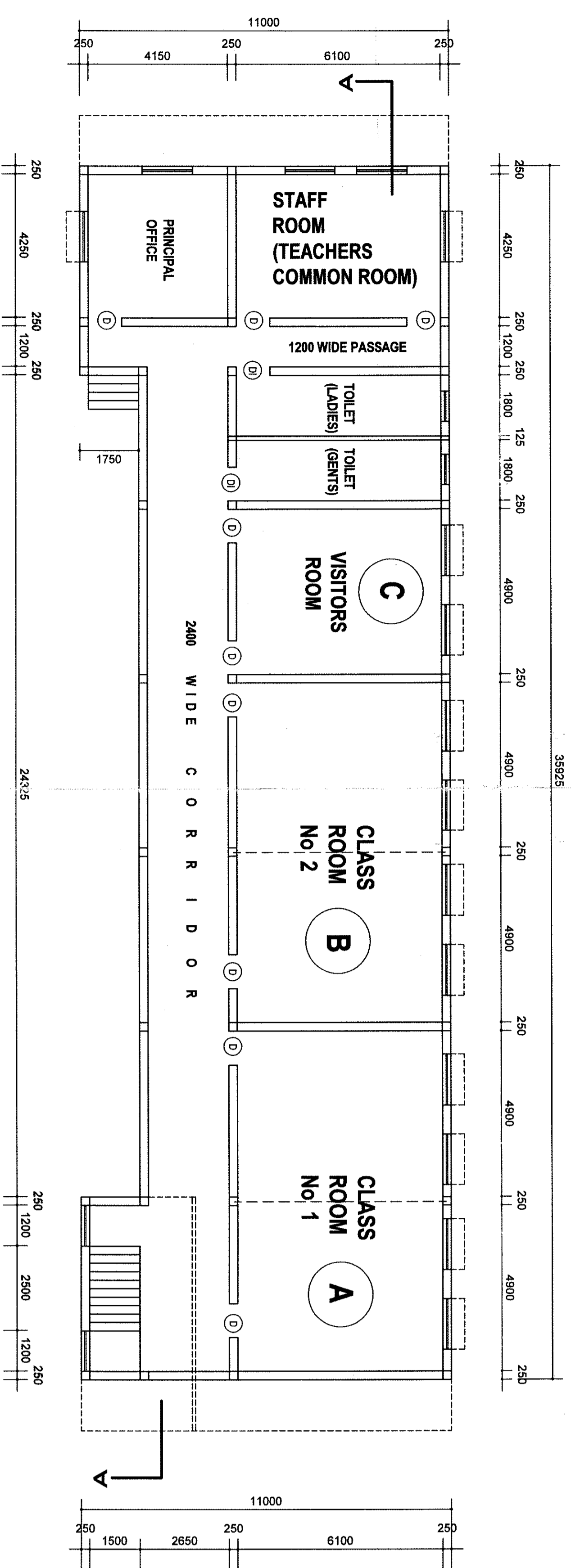


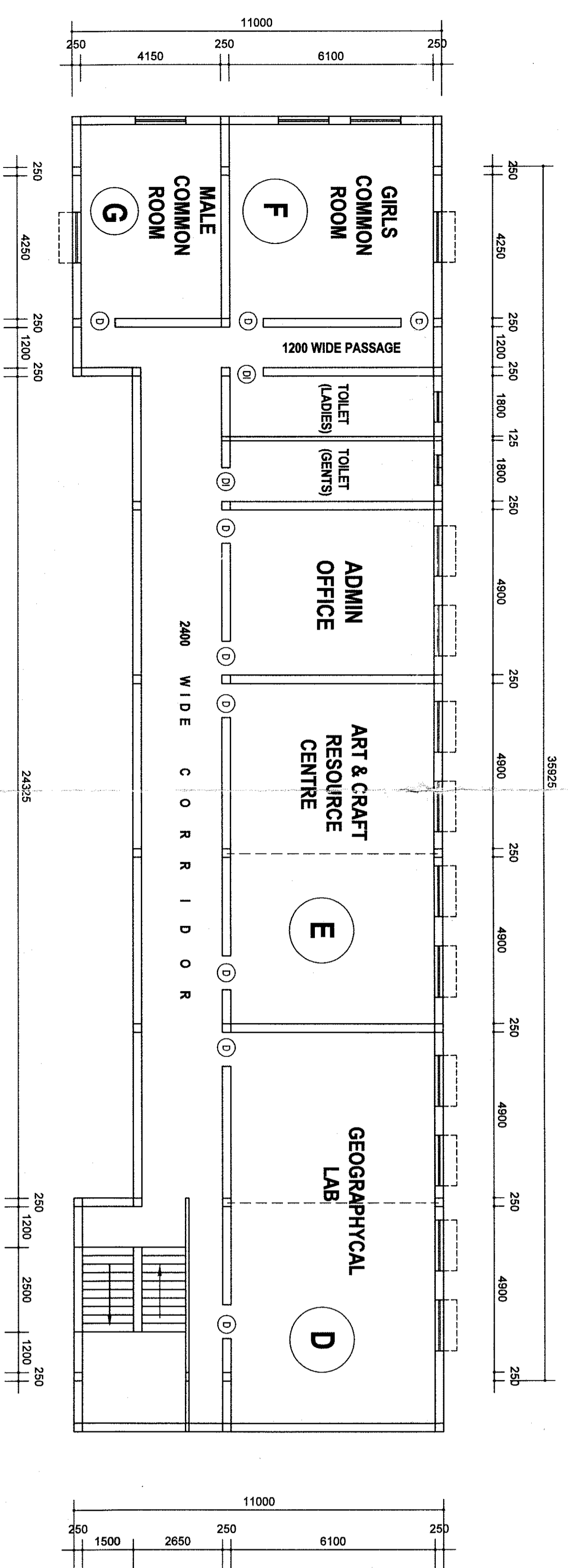
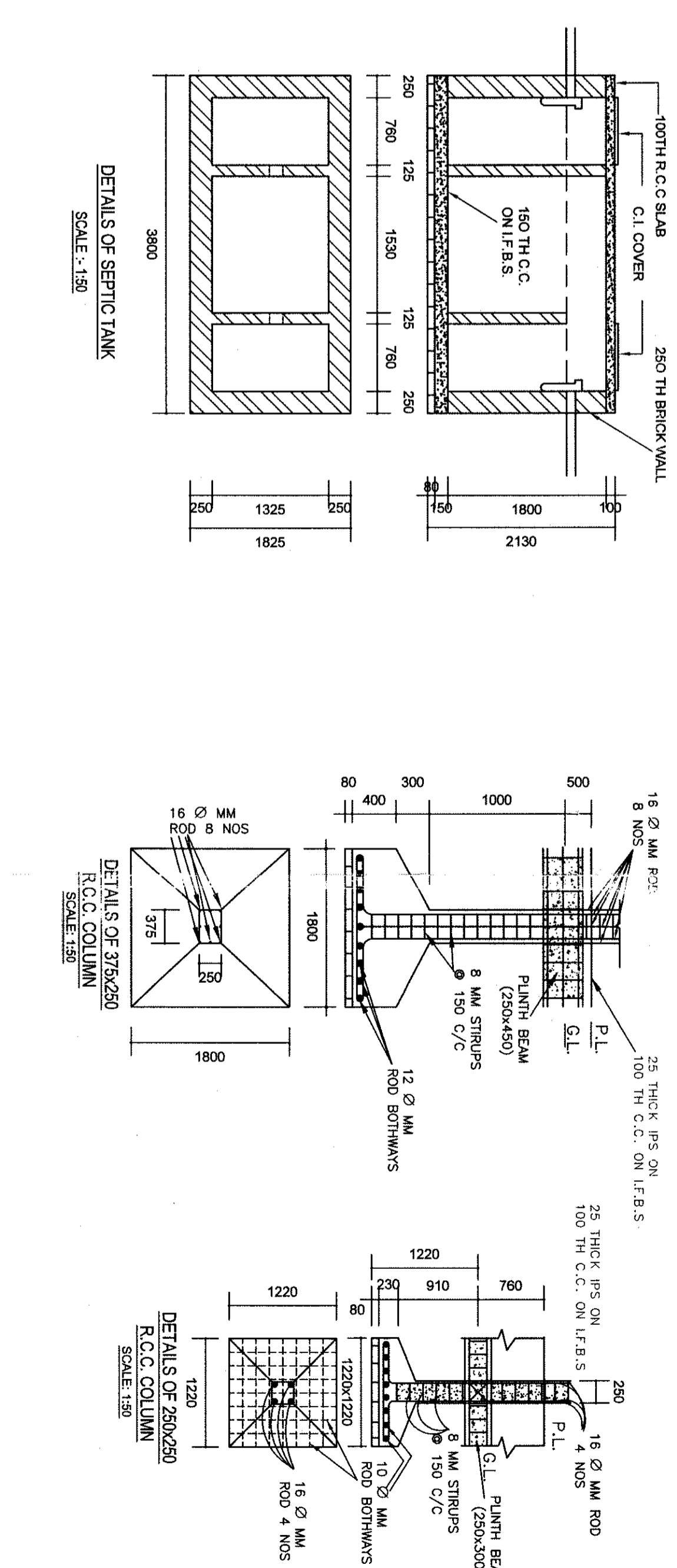
FRONT ELEVATION



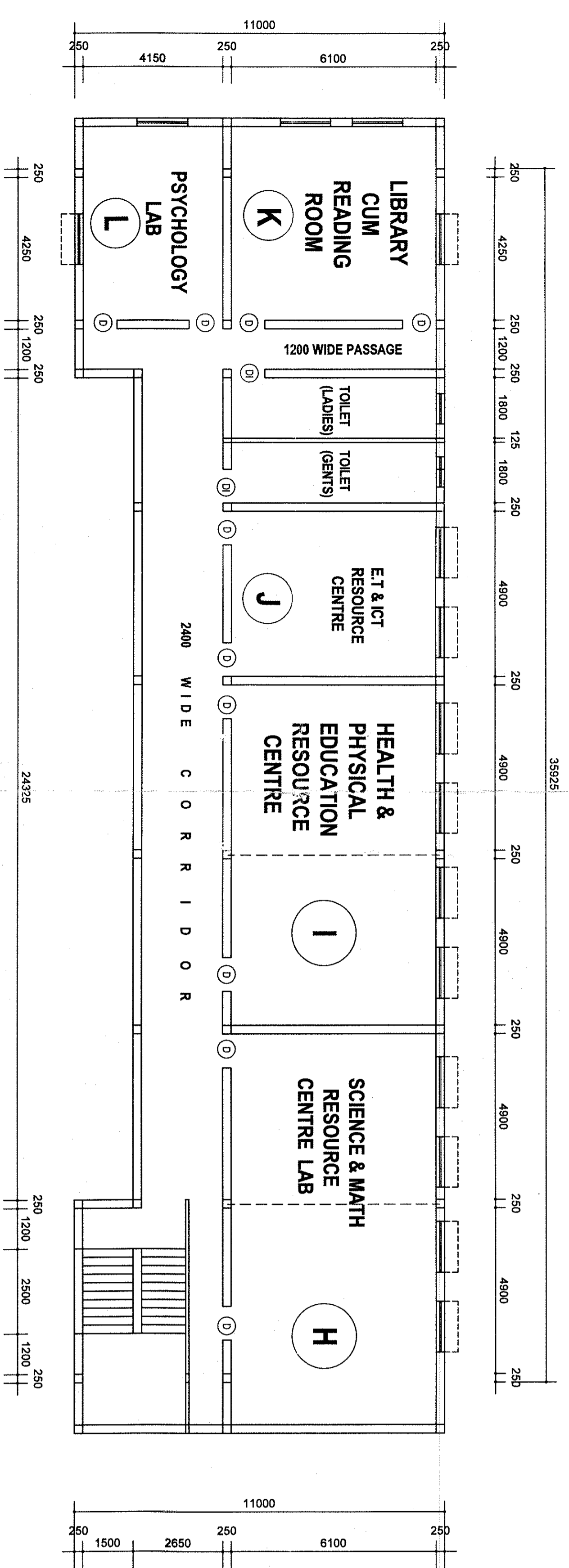
SECTION ON 'A-A'



GROUND FLOOR PLAN



FIRST FLOOR PLAN



SECOND FLOOR PLAN

**SCHEDULE OF DOORS & WINDOWS**

TYPE	SIZES	NOS	DESCRIPTION
D	2100X900	10	PLY FINISHED
W	1200X1800	42	PLY FINISHED
WM	1600X1800	42	PLY GLAZED
V	600X600	96	PLY GLAZED
OS	2100X900	61	COLLAPSIBLE PAINT

**NOTES:-**  
 1. ALL DIMENSIONS ARE IN MM EXCEPT 4. OTHERWISE STATE IN CM.  
 2. ALL SCALE (1:100) EXCEPT 4. OTHERWISE STATE IN CM.  
 3. OVERSEAS PLOTS IS MARKED BY RED IN COLOUR.  
**GENERAL NOTES:-**  
 1. ALL S.C.C. COLUMN 250X250 & 250 X 450  
 2. ALL S.C.C. BEAM 250 X 450  
 3. 25 THK. BRICK WORK IN 4.4 MORTAR  
 4. R.C.C. WORK IN 1:2:4 MORTAR P.C.C.  
 5. WORK IN 1:3:6 MORTAR

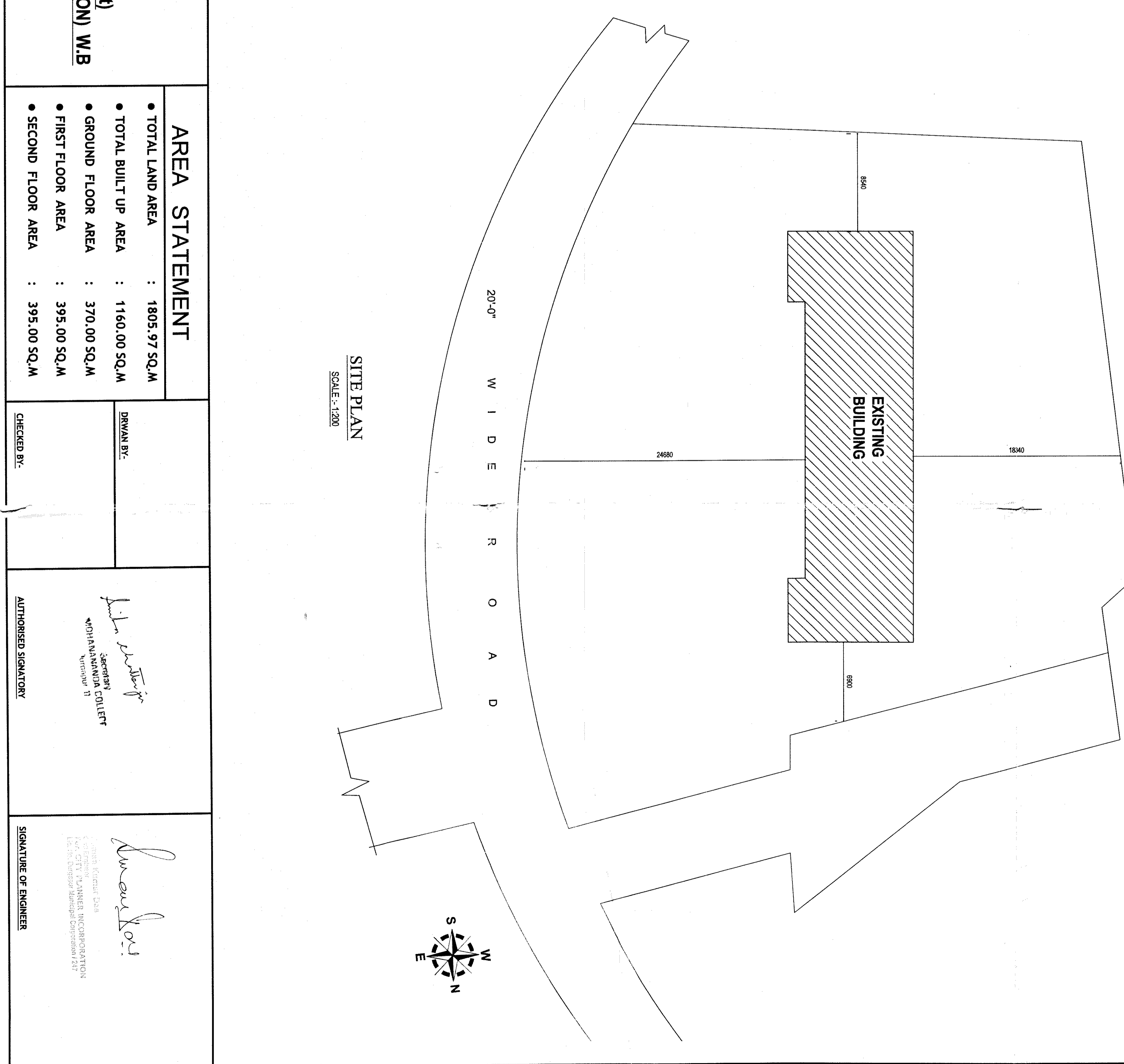
**PLAN OF EXISTING THREE STORED BUILDING OF MAHANANDA COLLEGE, AT MOUDA :- NADIHA, J.L. NO. 92, PLOT NO. 2285 (Part), 2286 (Part) & 2280 (Part) P.S. DURGAPUR, DIST. BURDWAN. (UNDER DURGAPUR MUNICIPAL CORPORATION) W.B.**

**AREA STATEMENT**

TOTAL LAND AREA	: 1805.97 SQ.M
TOTAL BUILT UP AREA	: 1160.00 SQ.M
GROUND FLOOR AREA	: 370.00 SQ.M
FIRST FLOOR AREA	: 395.00 SQ.M
SECOND FLOOR AREA	: 395.00 SQ.M

**APPROVED**

Checked by: \_\_\_\_\_  
 Authorised Signatory: \_\_\_\_\_  
 Signature of Engineer: \_\_\_\_\_



SITE PLAN  
SCALE: 1:1200